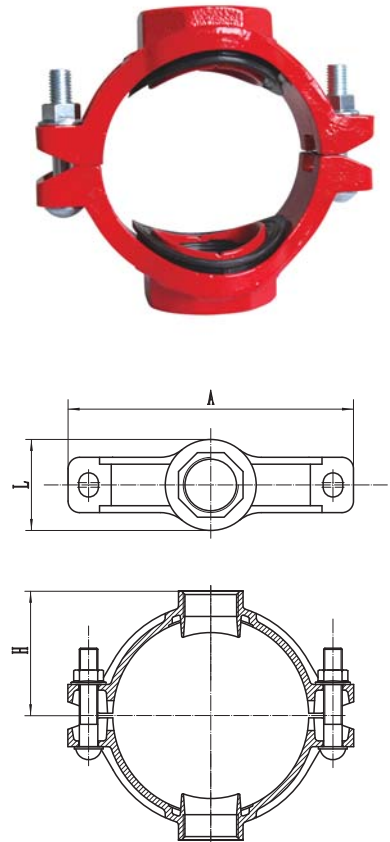
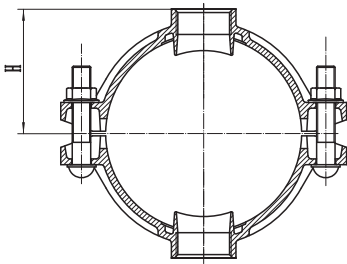
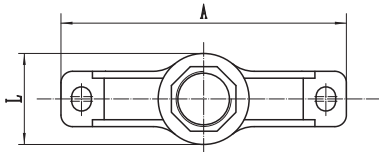


Threaded Mechanical Cross

Nominal Size mm/in	Pipe O.D mm/in	Dimensions			Hole Dimension (Φ-mm)	Bolt/Nut No.-size (mm)	Working pressure (Mpa)
		A mm	L mm	H mm			
65×25	76.1×33.7	139	76	60	38	3/8×2-1/8 (M10×55)	230
2 1/2×1	3×1.327						
65×32	76.1×42.4	139	83	60	46		
2 1/2×1 1/4	3×1.669						
80×25	88.9×33.7	152	76	63.5	38		
3×1	3.5×1.327						
80×32	88.9×42.4	152	83	64.5	46		
3×1 1/4	3.5×1.669						
80×40	88.9×48.3	152	90	65.5	53		
3×1 1/2	3.5×1.9						
100×25	108.1×33.7	167	76	76	38		
4×1	4.25×1.327						
100×32	108.0×42.4	167	83	76	46		
4×1 1/4	4.25×1.669						
100×40	108.0×48.3	167	90	76	53		
4×1 1/2	4.25×1.9						
100×50	108.0×60.3	167	100	78	64		
4×2	4.25×2.375						
100×25	114.3×33.7	181	76	79	38		
4×1	4.5×1.327						
100×32	114.3×42.4	181	83	79	46		
4×1 1/4	4.5×1.669						
100×40	114.3×48.3	181	90	79	53		
4×1 1/2	4.5×1.9						
100×50	114.3×60.3	181	100	83	64		
4×2	4.5×2.375						
125×25	139.7×33.7	212	76	93	38		
5×1	5.5×1.327						
125×32	139.7×42.4	212	83	93	46		
5×1 1/4	5.5×1.669						
125×40	139.7×48.3	212	90	93	53		
5×1 1/2	5.5×1.9						
125×50	139.7×60.3	212	100	93	64		
5×2	5.5×2.375						
125×65	139.7×76.1	212	117	93	70		
5×2 1/2	5.5×3						
150×25	165.1×33.7	248	64	106	38		
6×1	6.5×1.327						
150×32	165.1×42.4	248	72	106	46		
6×1 1/4	6.5×1.669						
150×40	165.1×48.3	239	79	106	53		
6×1 1/2	6.5×1.9						
150×50	165.1×60.3	248	90	106	64		
6×2	6.5×2.375						
150×65	165.1×76.1	248	107	106	80		
6×2 1/2	6.5×3						
150×80	165.1×88.9	248	118	108	92		
6×3	6.5×3.5						
150×25	168.3×33.7	248	64	106	38		
6×1	6.625×1.327						
150×32	168.3×42.4	248	72	106	46		
6×1 1/4	6.625×1.669						



Threaded Mechanical Cross



Nominal Size mm/in	Pipe O.D mm/in	Dimensions			Hole Dimension (Φ-mm)	Bolt/Nut No.-size (mm)	Working pressure (Mpa)
		A mm	L mm	H mm			
150×40	168.3×48.3	248	79	106	53	230	
6×1½	6.625×1.9						
150×50	168.3×60.3	248	90	106	64		
6×2	6.625×2.375						
150×65	168.3×76.1	248	117	128	70		
6×2½	6.625×3						
150×80	168.3×88.9	248	136	131	89		
6×3	6.625×3.5						
200×25	219.1×33.7	311	76	131	38		
8×1	8.625×1.327						
200×32	219.1×42.4	311	83	134	46		
8×1¼	8.625×1.669						
200×40	219.1×48.3	311	90	134	53		
8×1½	8.625×1.9						
200×50	219.1×60.3	311	100	134	64		
8×2	8.625×2.375						
200×65	219.1×76.1	311	117	156	70		
8×2½	8.625×3						
200×80	219.1×88.9	311	136	158.5	89		
8×3	8.625×3.5						
200×100	219.1×114.3	311	162	167	114		
8×4	8.625×4.5						